

# VOLVO V70



# The V70 range at a glance.

## V70 SE

The SE aims to spoil. Its luxurious interior boasts supportive seats with Sundby Textile/T-Tec upholstery, power adjustable for the driver. Then there's the 8 speaker High Performance audio system with 160W output and intuitive features such as automatic rain sensor and autodimming rear view mirror with compass. On the outside, 17" Cassini alloy wheels and colour co-ordinated front spoiler, chrome window trim and side mouldings make sure your presence doesn't go unnoticed.

## V70 SE LUX

The SE Lux model is the ultimate word in luxury. Leather-faced upholstery, modern wood trim, heated and powered front seats and luxury floor mats further enhance the luxurious interior. 17" Cassini alloy wheels, Active Bending Headlamps, power tailgate, silver roof rails and rear park assist offer both style and protection.

## V70 **R**DESIGN SE

The R-DESIGN model combines the luxury features of the SE, with sports styling and handling enhancements. Unique power steering system and 18" Cratus alloy wheels together with the R-DESIGN chassis enhance the handling. Visual presence is further enhanced with silver matt door mirrors, unique rear exhaust pipes, together with R-DESIGN leather-faced upholstery, front sports seats with side support, R-DESIGN leather steering wheel and unique aluminium interior trim.

## PREMIUM

The Premium model is the ultimate upgrade. The combination of Leather-faced Upholstery, Satellite Navigation System (RTI) and DAB Radio is designed to complement the existing high level of specification whichever model you choose.

## V70 **DRIVE**

DRIVE means making a change for the better without compromise. The exterior styling is unmistakably Volvo, with strong curves and sleek lines – yet DRIVE enhancements like the lowered chassis and Creon alloy wheels add distinctive finishing touches. And these changes aren't just for show – they contribute to CO<sub>2</sub> emissions of just 129 g/km and fuel economy of up to 57.7 mpg\*.

\* Based on a combined cycle



# On the road.

How much will it cost to get behind the wheel of your own Volvo V70? Simply decide which model variant and engine type are right for you and then take a look at the full price list below.

## V70 SE

See **"SPECIAL OFFER"**.

	<b>Basic £</b>	<b>VAT £</b>	<b>Rec Retail Price £</b>	<b>On the Road Price £</b>
<b>PETROL</b>				
2.5T (231 PS) SE	£23,778.72	£4,161.28	£27,940.00	£28,745.00
2.5T (231 PS) SE Premium <sup>(i)</sup>	£25,693.62	£4,496.38	£30,190.00	£30,995.00
<b>DIESEL</b>				
1.6D (109 PS) DRIVe SE	£20,029.79	£3,505.21	£23,535.00	£24,245.00
1.6D (109 PS) DRIVe SE Premium <sup>(i)</sup>	£21,944.68	£3,840.32	£25,785.00	£26,495.00
2.0D (136 PS) SE	£21,493.62	£3,761.38	£25,255.00	£25,995.00
2.0D (136 PS) SE Premium <sup>(i)</sup>	£23,408.51	£4,096.49	£27,505.00	£28,245.00
2.4D (175 PS) SE	£23,195.74	£4,059.26	£27,255.00	£27,995.00
2.4D (175 PS) SE Premium <sup>(i)</sup>	£25,110.64	£4,394.36	£29,505.00	£30,245.00
D5 (205 PS) SE	£24,897.87	£4,357.13	£29,255.00	£30,020.00
D5 (205 PS) SE Premium <sup>(i)</sup>	£26,812.77	£4,692.23	£31,505.00	£32,270.00
D5 AWD (205 PS) SE Geartronic	£27,536.17	£4,818.83	£32,355.00	£33,160.00
D5 AWD (205 PS) SE Geartronic Premium <sup>(i)</sup>	£29,451.06	£5,153.94	£34,605.00	£35,410.00

(i) All Premium models include Leather-faced Upholstery, Satellite Navigation System (RTI) and DAB Radio.

**"SPECIAL OFFER"** available on the V70 SE, purchase a Leather and Bluetooth Pack for only £600.





## V70 SE LUX

	Basic £	VAT £	Rec Retail Price £	On the Road Price £
<b>PETROL</b>				
2.5T (231 PS) SE Lux	£26,331.91	£4,608.09	£30,940.00	£31,745.00
2.5T (231 PS) SE Lux Premium <sup>(1)</sup>	£27,480.85	£4,809.15	£32,290.00	£33,095.00
T6 AWD (285 PS) SE Lux Geartronic	£31,617.02	£5,532.98	£37,150.00	£38,145.00
T6 AWD (285 PS) SE Lux Geartronic Premium <sup>(1)</sup>	£32,765.96	£5,734.04	£38,500.00	£39,495.00
<b>DIESEL</b>				
2.0D (136 PS) SE Lux	£24,046.81	£4,208.19	£28,255.00	£28,995.00
2.0D (136 PS) SE Lux Premium <sup>(1)</sup>	£25,195.74	£4,409.26	£29,605.00	£30,345.00
2.4D (175 PS) SE Lux	£25,748.94	£4,506.06	£30,255.00	£30,995.00
2.4D (175 PS) SE Lux Premium <sup>(1)</sup>	£26,897.87	£4,707.13	£31,605.00	£32,345.00
D5 (205 PS) SE Lux	£27,451.06	£4,803.94	£32,255.00	£33,020.00
D5 (205 PS) SE Lux Premium <sup>(1)</sup>	£28,600.00	£5,005.00	£33,605.00	£34,370.00
D5 AWD (205 PS) SE Lux Geartronic	£30,089.36	£5,265.64	£35,355.00	£36,160.00
D5 AWD (205 PS) SE Lux Geartronic Premium <sup>(1)</sup>	£31,238.30	£5,466.70	£36,705.00	£37,510.00

## V70 R-DESIGN SE

	Basic £	VAT £	Rec Retail Price £	On the Road Price £
<b>PETROL</b>				
2.5T (231 PS) R-DESIGN SE	£25,310.64	£4,429.36	£29,740.00	£30,545.00
2.5T (231 PS) R-DESIGN SE Premium <sup>(1)</sup>	£26,459.57	£4,630.43	£31,090.00	£31,895.00
T6 AWD (285 PS) R-DESIGN SE Geartronic	£30,595.74	£5,354.26	£35,950.00	£36,945.00
T6 AWD (285 PS) R-DESIGN SE Geartronic Premium <sup>(1)</sup>	£31,744.68	£5,555.32	£37,300.00	£38,295.00
<b>DIESEL</b>				
2.0D (136 PS) R-DESIGN SE	£23,025.53	£4,029.47	£27,055.00	£27,795.00
2.0D (136 PS) R-DESIGN SE Premium <sup>(1)</sup>	£24,174.47	£4,230.53	£28,405.00	£29,145.00
2.4D (175 PS) R-DESIGN SE	£24,727.66	£4,327.34	£29,055.00	£29,795.00
2.4D (175 PS) R-DESIGN SE Premium <sup>(1)</sup>	£25,876.60	£4,528.40	£30,405.00	£31,145.00
D5 (205 PS) R-DESIGN SE	£26,429.79	£4,625.21	£31,055.00	£31,820.00
D5 (205 PS) R-DESIGN SE Premium <sup>(1)</sup>	£27,578.72	£4,826.28	£32,405.00	£33,170.00



# The right equipment.

It's essential that your Volvo comes equipped with everything you need. Below you'll find the standard equipment lists for each model variant, plus optional equipment to personalise your Volvo V70. And as you'd expect, there is an array of industry-leading, cutting edge safety innovations.

	SE	SE LUX	<b>R</b> DESIGN SE
<b>STANDARD EQUIPMENT - SAFETY &amp; SECURITY</b>			
Dual Stage Driver and Passenger Airbags	•	•	•
SIPS (Side Impact Protection System)	•	•	•
Dual Chamber SIPS Airbags	•	•	•
IC (Inflatable Curtain)	•	•	•
WHIPS (Whiplash Protection System)	•	•	•
ABS (Anti-lock Brake System) and FBS (Fading Brake Support) with HBA (Hydraulic Brake Assist), OHB (Optimised Hydraulic Brakes), EBD (Electronic Brake Distribution) and RAB (Ready Alert Brakes)	•	•	•
DSTC (Dynamic Stability and Traction Control)	•	•	•
5 Three Point Seat Belts	•	•	•
Seat Belt Pre-tensioners (Front and Rear)	•	•	•
Head Restraints – All 5 Seats	•	•	•
ISOFIX Attachment (Rear Seats)	•	•	•
Anti-theft Alarm including Immobiliser, Volume Sensor and Level Sensor	•	•	•
Key Integrated Remote Control Central Locking including Fuel Flap with Deadlocking System, Auto Open/Close Power Windows/and Sunroof (if ordered)	•	•	•
Tinted Windscreen	•	•	•
Water repellent side windows	•	•	•
Load Cover (Cargo Area) with Nylon Load Protection Net	•	•	•
3D Cargo Load System (Aluminium Cargofix Rails with 4 Attachments and 4 Aluminium High Level Anchor Points)	•	•	•
Lockable Load Floor	•	•	•
Visible VIN Plate	•	•	•
Day Running Lights	•	•	•
Headlamp Levelling System	•	•	•
Adaptive Brake Lights including High Level LED Brake Light	•	•	•
Power Parking Brake	•	•	•
Side Marker Illumination	•	•	•
Home Safe and Approach Lighting	•	•	•
IDIS (Intelligent Driver Information System)	•	•	•
Warning Triangle	•	•	•
<b>STANDARD EQUIPMENT - EXTERIOR</b>			
16" Creon Alloy Wheels 205/60 R16 V Tyres (DRive model only)	•		
17" Canicula Alloy Wheels (Silver Bright) – 225/50 R17 W Tyres	•	•	
18" Cratus Alloy Wheels (Silver Bright) – 245/40 R18 Y Tyres			•
Locking Wheel Nuts	•	•	•
Tyre Sealant Kit	•	•	•
Active Bending Headlamps with Headlamp Cleaning System		•	
Autofolding Power Door Mirrors with Ground Lights	•	•	•
Heated Washer Nozzles		•	
Power Adjustable and Heated Door Mirrors	•	•	•
Front Fog Lights	•	•	•
Power Tailgate		•	
Rear Spoiler			•
<b>R</b> DESIGN Grille with Logo			•
Rain Sensor – Automatic Windscreen Wiper Activation	•	•	•
<b>R</b> DESIGN Lowered Sports Chassis			•
DRive Lowered Chassis (DRive models only)	•		
Roof Rails (Silver – <b>R</b> DESIGN and SE Lux)	•	•	•
Chrome Window Trim	•	•	
Colour Co-ordinated Bumpers and Door Mirrors	•	•	•
<b>R</b> DESIGN Silver Matt Door Mirrors			•
Colour Co-ordinated Lower Door and Bumper Mouldings	•	•	•
Twin Aluminium Exhaust End Pipes (D5, D5 AWD and T6 AWD only)	•	•	•
Rear Park Assist		•	
Electronic All Wheel Drive System with Instant Traction™ (Haldex Coupling) (T6 AWD and D5 AWD only)	•	•	•

<b>STANDARD EQUIPMENT - INTERIOR</b>	<b>SE</b>	<b>SE LUX</b>	<b>R-DESIGN SE</b>
ECC (Electronic Climate Control) with AQS (Air Quality System) and Pollen Filter	•	•	•
B Pillar Ventilation	•	•	•
Information Centre	•	•	•
Cruise Control	•	•	•
Speed Dependent Steering System with 3 Settings (Standard T6 AWD only)		•	
Unique R-DESIGN Power Steering System			•
Front and Rear Power Windows	•	•	•
Illuminated Driver and Passenger Vanity Mirrors	•	•	•
Front and Rear Reading Lights	•	•	•
Autodimming Rear View Mirror with Compass	•	•	•
Rear Centre Armrest with Cupholders and Storage	•	•	•
Grocery Bag Holder	•	•	•
12V Socket (Front and Rear Tunnel Console/Cargo Area)	•	•	•
Power Driver's Seat with Seat Memory	•	•	•
Power Passenger Seat		•	
Heated Front Seats		•	
Height Adjustable Driver and Passenger Seats with Lumbar Support	•	•	•
Forward Folding Front Passenger Seat	•	•	•
Versatile Split-folding Rear Seat (40%/20%/40%)	•	•	•
Leather Steering Wheel and Gear Knob (including Silk Metal Inserts on Steering Wheel)	•	•	
R-DESIGN Leather Sports Steering Wheel with Logo			•
R-DESIGN Sports Gear Knob			•
Steering Wheel Remote Audio Controls	•	•	•
Chronograph Instrument Dials (D5 and T6 AWD only)	•	•	
R-DESIGN Unique Instrument Dials			•
Chrome Rotary Knobs	•	•	•
Chrome Trim on Air Vents, Side Defrosters and Mannequin		•	
Height and Reach Adjustable Steering Column	•	•	•
Cross Brushed Aluminium Trim	•		
Modern Wood Trim		•	
R-DESIGN Aluminium Trim			•
Sundby Textile/T-Tec Upholstery	•		
Leather-faced Upholstery (Standard on SE Premium and SE Lux models only)	•	•	
R-DESIGN Leather-faced Sports Upholstery with Logo			•
Luxury Floor Mats		•	
R-DESIGN Sports Floor Mats			•
R-DESIGN Aluminium Sports Pedals			•
High Performance Sound Audio System - 1 x CD/Radio, 4 x 40W Amplifier, USB and Aux Input (MP3/WMA Compatible) and 8 Speakers	•	•	•
Satellite Navigation System (RTI) with RDS-TMC, Remote Control with Europe DVD Maps (Standard on Premium models only)	•	•	•
DAB Radio (Standard on Premium models only)	•	•	•



OPTIONAL EQUIPMENT – SAFETY & SECURITY	Basic £	VAT £	Rec Retail Price £	SE	SE LUX	R-DESIGN SE
BLIS (Blind Spot Information System). See <b>"SPECIAL BLIS OFFER"</b> .	£382.98	£67.02	£450.00	o	o	o
Passenger Airbag Cut Off Switch	£25.53	£4.47	£30.00	o	o	o
PCC (Personal Car Communicator) with Heartbeat Sensor and Keyless Drive	£425.53	£74.47	£500.00	o	o	o
ACC (Adaptive Cruise Control) with Distance Alert and Collision Warning with Auto Brake (not 2.0D and DRIVE) <sup>(i)</sup>	£1,148.94	£201.06	£1,350.00	o	o	o
LDW (Lane Departure Warning) with DAC (Driver Alert Control) <sup>(i)</sup>	£438.30	£76.70	£515.00	o	o	o
Dark Tinted Windows (Rear Side Doors and Cargo Area)	£234.04	£40.96	£275.00	o	o	o
360° Laminated Windows including Cargo Area	£391.49	£68.51	£460.00	o	o	o
IR (Infrared) Reflective Glass Windscreen	£131.91	£23.09	£155.00	o	o	o
Power Child Locks (Rear Doors)	£68.09	£11.91	£80.00	o	o	o

**"SPECIAL BLIS OFFER" – Purchase BLIS and receive a free Family Pack.**

OPTIONAL EQUIPMENT – EXTERIOR	Basic £	VAT £	Rec Retail Price £	SE	SE LUX	R-DESIGN SE
Black Paint (Solid)	£225.53	£39.47	£265.00	o	o	n/a
Metallic/Pearlescent Paint	£527.66	£92.34	£620.00	o	o	o
Inscription™ Paint	£676.60	£118.40	£795.00	o	o	o
17" Cassini Alloy Wheels (Silver Bright) – 225/50 R17 W Tyres (Not DRIVE)	–	–	–	nco	nco	n/a
18" Odysseus Alloy Wheels (Silver Bright) – 245/40 R18 Y Tyres <sup>(xv)</sup>	£659.57	£115.43	£775.00	o	o	n/a
18" Fortuna Alloy Wheels (Diamond Cut/Graphite) – 245/40 R18 Y Tyres <sup>(xv)</sup>	£659.57	£115.43	£775.00	o	o	n/a
Tempa Spare Wheel and Jack Kit <sup>(ii)</sup>	–	–	–	nco	nco	nco
Power Tailgate	£319.15	£55.85	£375.00	o	●	o
Delete Roof Rails	–	–	–	nco	nco	n/a
Rear Park Assist	£319.15	£55.85	£375.00	o	●	o
Front and Rear Park Assist	£553.19	£96.81	£650.00	o	u (£275)	o
Load Compensating Suspension <sup>(xv)</sup>	£442.55	£77.45	£520.00	o	o	●
Active Four-C Chassis (Continuously Controlled Chassis Concept) <sup>(iii)(xv)</sup>	£957.45	£167.55	£1,125.00	o	o	n/a

● = Standard, o = optional, n/a = not available, nco = no cost option, u (£) = upgrade, ® = Registered Trademark.

(i) Cannot be ordered in conjunction with IR (Infrared) Reflective Glass Windscreen.

(ii) Tempa Spare Wheel and Digital TV cannot be combined.

(iii) Four-C Chassis cannot be combined with Load Compensating Suspension.

(iv) Heated Rear Seats must be combined with Heated Front Seats on SE and R-DESIGN and cannot be combined with Integrated 2-stage Booster Cushions x 2.

(v) Can only be combined with E112, E212, E412 and E812 Upholsteries and is not available in combination with Walnut Wood Steering Wheel.

(vi) Must be ordered in conjunction with Walnut Wood Trim.

(vii) Cannot be ordered in conjunction with Modern Wood Trim or Dark Fineline Trim.

(viii) Must be ordered in conjunction with Power Driver/Passenger Seats and Heated Front Seats (SE models).

(ix) If a 6 x CD Player is ordered, the standard USB port is still standard with the audio system.

(x) Dolby and Pro Logic Surround Sound™ are trademarks of Dolby Laboratories Licensing Corporation.

(xi) Must be ordered in conjunction with Rear Seat Entertainment.

(xii) Cannot be ordered in conjunction with Dual Band Integrated GSM Telephone and Volvo On Call.

(xiii) Volvo On Call includes Safety package (Security package available at additional cost).

(xiv) Must be ordered in conjunction with accessory Rubber Floor Mats and Luggage Compartment Mat. CZIP cannot be combined with front and rear Ashtray with Cigarette Lighter.

(xv) Not available on DRIVE.

(xvi) Special Offer only available on V70 SE variants.





OPTIONAL EQUIPMENT - INTERIOR	Basic £	VAT £	Rec Retail Price £	SE	SE LUX	REDESIGN SE
Geartronic Transmission (Standard T6 AWD and D5 AWD only) (not DRIVE and 2.0D)	£1,234.04	£215.96	£1,450.00	o	o	o
Speed Dependent Steering System with 3 Settings (Standard T6 AWD only)(xv)	£195.74	£34.26	£230.00	o	o	n/a
Power Glass Tilt and Slide Sunroof	£723.40	£126.60	£850.00	o	o	o
Front and Rear Ashtray with Cigarette Lighter	-	-	-	nco	nco	nco
Power Driver and Passenger Seats with Driver's Seat Memory	£523.40	£91.60	£615.00	o	●	o
Heated Front Seats	£225.53	£39.47	£265.00	o	●	o
Heated Rear Seats <sup>(iv)</sup>	£225.53	£39.47	£265.00	o	o	o
Anthracite Black Dash Top, Steering Wheel, Steering Column and Gear Knob <sup>(v)</sup>	-	-	-	nco	nco	n/a
Walnut Wood Gear Knob (Geartronic only) <sup>(vi)</sup>	£46.81	£8.19	£55.00	o	o	n/a
Cross Brushed Aluminium Trim	-	-	-	●	nco	n/a
Dark Finline Trim	-	-	-	nco	nco	n/a
Modern Wood Trim	£221.28	£38.72	£260.00	o	●	n/a
Walnut Wood Trim	£221.28	£38.72	£260.00	o	nco	n/a
Walnut Wood Steering Wheel <sup>(vi)(vii)</sup>	£221.28	£38.72	£260.00	o	o	n/a
Vitinge Leather/Textile Upholstery	£553.19	£96.81	£650.00	o	n/a	n/a
Leather-faced Upholstery (Standard on SE Premium models)	£1,021.28	£178.72	£1,200.00	o	●	n/a
Ventilated Leather-faced Upholstery <sup>(viii)</sup>	£1,276.60	£223.40	£1,500.00	o	u (£300)	n/a
6 x CD Player (MP3/WMA Compatible) <sup>(ix)</sup>	£68.09	£11.91	£80.00	o	o	o
DAB Preparation	£63.83	£9.78	£75.00	o	o	o
DAB (Digital Audio Broadcasting) Radio (Standard on Premium models)	£212.77	£37.23	£250.00	o	o	o
Dynaudio Premium Sound Audio System – 1 x CD/Radio with Dolby Pro Logic II Surround Sound <sup>(x)</sup> , 5 x 130W Amplifier, USB and Aux Input (MP3/WMA Compatible) and 12 Dynaudio Speakers	£851.06	£148.94	£1,000.00	o	o	o
Subwoofer (2 x 6.5" Subwoofer with 2 x 130W Amplifier)	£174.47	£30.53	£205.00	o	o	o
Rear Seat Entertainment with 1 x DVD Player in Front Centre Armrest, 2 x 8" screens, 2 x IR Headphones and Remote Control	£1,148.94	£201.06	£1,350.00	o	o	o
Rear Seat Audio Console with Headphone Sockets x 2	£85.11	£14.89	£100.00	o	o	o
Digital TV <sup>(xi)</sup>	£361.70	£63.30	£425.00	o	o	o
Satellite Navigation System (RTI) with RDS-TMC, Remote Control with Europe DVD Maps (Standard on Premium models)	£1,659.57	£290.43	£1,950.00	o	o	o
Bluetooth® Handsfree System <sup>(xii)</sup>	£127.66	£22.34	£150.00	o	o	o
Dual Band Integrated GSM Telephone with Handset and Volvo On Call <sup>(xiii)</sup>	£702.13	£122.87	£825.00	o	o	o
CZIP (Clean Zone Interior Package) <sup>(xiv)</sup>	£127.66	£22.34	£150.00	o	o	o

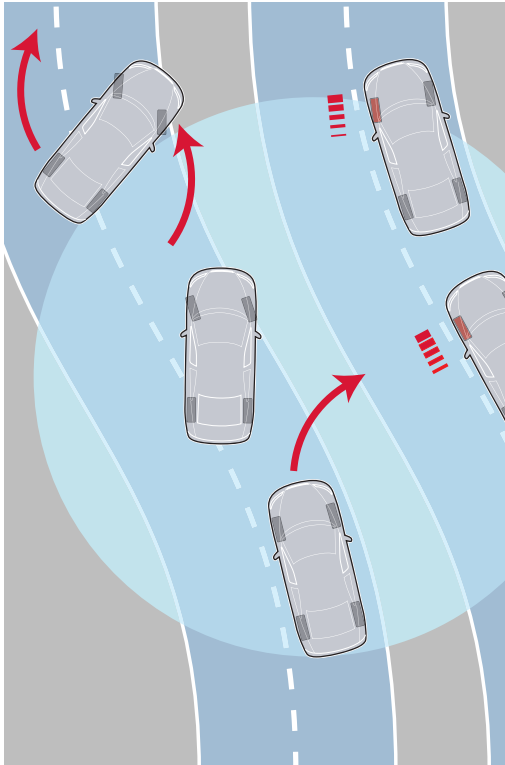
	Basic £	VAT £	Rec Retail Price £	SE	SE LUX	REDESIGN SE
<b>WINTER PACK</b>						
Heated Front Seats, Headlamp Cleaning System, Luxury Floor Mats and Heated Washer Nozzles	£425.53	£74.47	£500.00	o	n/a	u (£425)
Winter Pack with Active Bending Headlamps	£893.62	£156.38	£1,050.00	o	●	u (£975)
<b>FAMILY PACK<sup>(iv)</sup>. See "SPECIAL BLIS OFFER".</b>						
Integrated 2-Stage Booster Cushions x 2, Power Child Locks (Rear Doors) and Passenger Airbag Cut Off Switch	£242.55	£42.45	£285.00	o	o	o
<b>COMMUNICATIONS PACK<sup>(xii)</sup></b>						
Satellite Navigation System (RTI) with RDS-TMC, Remote Control with Europe DVD Maps, PCC (Personal Car Communicator) with Heartbeat Sensor and Keyless Drive and Bluetooth® Handsfree System	£1,829.79	£320.21	£2,150.00	o	o	o
<b>DRIVER SUPPORT PACK (not DRIVE and 2.0D)<sup>(i)</sup></b>						
BLIS (Blind Spot Information System), ACC (Adaptive Cruise Control) with Distance Alert and Collision Warning with Auto Brake and LDW (Lane Departure Warning) with DAC (Driver Alert Control)	£1,361.70	£238.30	£1,600.00	o	o	o
<b>LEATHER &amp; BLUETOOTH PACK<sup>(xvi)</sup>. See "SPECIAL OFFER".</b>						
Leather-faced Upholstery and Bluetooth® Handsfree System	£510.64	£89.36	£600.00	o	n/a	n/a

"SPECIAL OFFER" available on the V70 SE, purchase a Leather and Bluetooth Pack for only £600.

"SPECIAL BLIS OFFER" – Purchase BLIS and receive a free Family Pack.

# Inside information.

Here you can learn more about the features and technology of your New Volvo V70. Some are standard, some are optional. For more detailed information, please contact your Volvo dealer or visit [www.volvocars.co.uk](http://www.volvocars.co.uk)



## Dynamic Stability and Traction Control (DSTC)

By helping prevent fishtails, spinouts, and roll-overs, stability control technology like DSTC has been described as one of the most vital safety advances of the past decade. At the core of DSTC, a gyroscope senses the car's direction and compares this with steering wheel movements as well as the actual rotation of the car's wheels. DSTC is able to detect a potential skid and help counteract this by reducing the engine's power output, or braking on one or more wheels.

## Whiplash Protection System (WHIPS)

Integrated in the front seats, Volvo's WHIPS cradles the occupant to help reduce the risk of whiplash injury (one of the most common types of traffic injury and often the result of a low-speed rear impact collision). The function is activated by a collision of sufficient force from behind. Independent research has shown that WHIPS is one of the most effective systems in the world and can reduce the risk of long-term injuries by 50%.



## Side Impact Protection System (SIPS)

SIPS is a Volvo unique safety system that has been developed to help protect where occupants are most exposed to the crash forces. The steel framework of the car – including the front seats – is designed and reinforced to help displace the impact of a side-collision away from the occupants to other parts of the car body and help prevent intrusion into the cabin. The extremely strong side structure is built-up with ultra-high strength steel and softer grades of steel to help withstand a severe side impact – even with a larger vehicle. The Inflatable Curtain (IC) for all the outboard occupants and the front seat dual-chamber side airbags interact to help provide further protection.



## ISOFIX

ISOFIX attachments only allow you to fit the child seat in the correct way. They also make the child seat easier to fit and remove. We offer two rearfacing child seats with ISOFIX attachments: one for infants and small children up to 13 kg, and one for children weighing between 9 and 18 kg.



## Dual-stage airbags, driver and front passenger

Helping to optimise protection, the dual-stage airbags adapt the level of inflation depending on the force of the collision. The driver's airbag also interacts with the deformation of the collapsible steering column.



## Inflatable Curtain (IC)

The Inflatable Curtain (IC) helps protect the heads of both front and rear outboard occupants. It also stays inflated for some seconds to provide prolonged protection for subsequent impacts.



#### Integrated Bluetooth® handsfree system

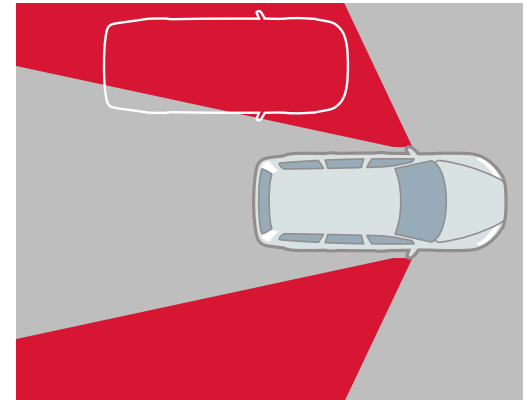
Bluetooth® technology enables a mobile phone to be connected to the infotainment system in your Volvo, wirelessly. Once configured for a mobile phone, the system automatically recognises your phone as you enter the car. And as you climb in and out of the car, the system automatically allows you to switch freely from the phone to the handsfree system and back again. With Volvo's integrated Bluetooth® handsfree system you conveniently operate your phone using the buttons in the steering wheel or the centre console keypad. Available as an accessory, there's also a voice-controlled Bluetooth® handsfree system that will listen to your command and make calls for you.

The Bluetooth word mark and logos are owned by the Bluetooth SIG, Inc. and any use of such marks by Volvo Car Corporation is under licence. Other trademarks and trade names are those of their respective owners.



#### Personal Car Communicator (PCC)

PCC is an advanced remote control that combines keyless drive with two-way communication with your Volvo. Keep the PCC with you and the car unlocks automatically as you pull the door handle. Start the engine by pressing a button on the dash, lock the car by pressing a button in the door handle. Later in the day, if you're wondering whether you've locked the car, PCC can remind you; no matter where you are. On your return to the car – within a radius of 60 to 100 metres – pressing the PCC information button will give you a current report on its status. If the alarm has been activated, the onboard heartbeat sensor will give you advanced warning if there's somebody in your car and an opportunity to evaluate the situation safely.



#### Blind Spot Information System (BLIS)

BLIS uses rear-facing cameras installed in the door mirrors to keep a lookout on either side of the car. As a vehicle enters your blind spot, this function can alert you with a lamp built into the front door post – left or right. Together with the door mirrors, this helps you assess the feasibility of a lane change. BLIS is activated once the car exceeds 6 mph, and reacts to almost any type of vehicle from a motorcycle upwards, day or night.



#### Lane Departure Warning (LDW)

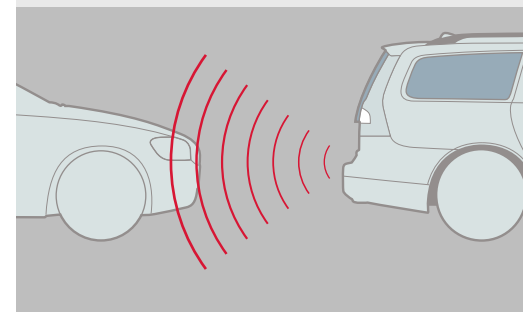
At speeds over 40 mph, Lane Departure Warning can help prevent single-vehicle road departures as well as collisions caused by temporary distraction. This function uses the digital camera to register the lane markings and help monitor the car's position on the road. If you weave out of your lane, LDW will alert with an audible signal. If you intentionally cross a lane marker using the direction indicators, LDW is not activated.



#### Road and Traffic Information (RTI)

Volvo's GPS-based RTI navigation system is totally integrated with your car. It offers both voice guidance and graphic navigation all the way to your destination. Via TMC (Traffic Message Channel) radio data broadcasts RTI also lets you know if there's weather-related trouble on route and recommends an alternative. The RTI system is easily controlled from the steering wheel or a remote, and the screen is positioned so you can keep your attention on traffic. When not in use, the screen retracts into the dash.

The maps are on one DVD and cover major parts of Europe. To help you keep track of new roads and points of interest, you can join our MapCare programme for two free map updates.



#### Park Assist

Activated when you engage reverse gear, rear park assist helps you when reversing into tight spaces. The audio system is turned down and a pulsating sound from the rear loudspeakers becomes a continuous tone as you approach an obstacle. Front park assist performs a similar function at the front of the vehicle – alerting you via the front loudspeakers. The remaining distance is also shown on the audio display.

# Accessories from Volvo.

Of course, your Volvo V70 won't be perfect until it's exactly how you want it. So here's a selection of our range of accessories to completely personalise your new car.



### Towbar-mounted bike rack

This state-of-the-art holder secures your bicycles conveniently and safely on the back of your Volvo.



18" Makara

Silver bright or Black chrome



### USB and iPod® Music Interface

Simply connect your iPod® or USB device and seamlessly integrate with your Volvo's audio system.



### 'Space Design' roof box

A lightweight, aerodynamic roof box available in two sizes: 380 and 480 litres.



### Park Assist Camera

Discreetly mounted on the tailgate, this camera increases your field of vision behind the car.



### Infant seat (up to 13 kg)

Infants can travel safely backwards in this comfortable, easy-to-carry seat with five-point harness.



**Booster seat (15-36 kg)**

Volvo's new booster seat helps position a child at the correct height for the safety belt.



**Portable navigation system**

Designed to complement your Volvo, this easy-to-use Garmin nüvi® navigation unit guides you all the way.



**Convertible child seat (9-25 kg)**

Advanced design helps provide world-class protection and flexible seating for many years.



**Sunblinds**

Complete sunblinds that provide maximum protection for your passengers when the sun is at its brightest.



**Towbars**

Our lockable, easy-to-remove towbars are designed specifically for your Volvo.

Take a look at all our accessories and full pricing information at [www.volvocars.co.uk/accessories](http://www.volvocars.co.uk/accessories)

**COLOUR YOUR VOLVO.** When it comes to the appearance of your Volvo, the choice of exterior colour, wheels and other styling items are probably your most important design decisions. For more exterior styling options and to build your new Volvo online, please visit [www.volvocars.co.uk](http://www.volvocars.co.uk)



019 Black Stone



426 Silver metallic <sup>①</sup>



452 Black Sapphire metallic



454 Ruby Red pearl



455 Titanium Grey pearl <sup>①</sup>



467 Magic Blue pearl <sup>①</sup>



472 Oyster Grey pearl <sup>①</sup>



477 Inscription™ Electric Silver coarse flake metallic <sup>①</sup>  
(sparkling metallic, shifts from silver to blue effect depending on light)



484 Seashell metallic <sup>①</sup>



492 Savile Grey pearl



493 Caper Green pearl



498 Caspian Blue metallic



612 Passion Red <sup>①</sup>



614 Ice White <sup>①</sup>

<sup>①</sup> Also available for R-DESIGN

**Please note:** It's not possible to reproduce exact original shades in printed matter. Please ask your dealer to show you samples.

**Clean colours**

To reduce usage of environmentally hazardous solvents all Volvo exterior colours are water-based. What's more, our painting facilities are among the cleanest in the world.

**EXTERIOR DESIGN** Aluminium wheels



18" Fortuna  
Diamond cut/Light Grey



18" Odysseus  
Silver Bright



17" Canicula  
Silver Bright



17" Cassini  
Silver Bright



16" Creon  
Silver Stone

**Please note:** All wheels cannot be combined with all engine variants. Please talk to your Volvo dealer for more information.

**IMAGINE YOUR NEW INTERIOR.** Crafted according to your requirements, the interior of your Volvo can take on any number of personalities. Choose between two interior colours (Anthracite Black and Sandstone Beige) and different upholstery. Pick the interior that suits you and add the finishing touch with the interior trim, steering wheel, gear knob and floor mat of your choice. After all, you're probably going to spend a lot of time here.

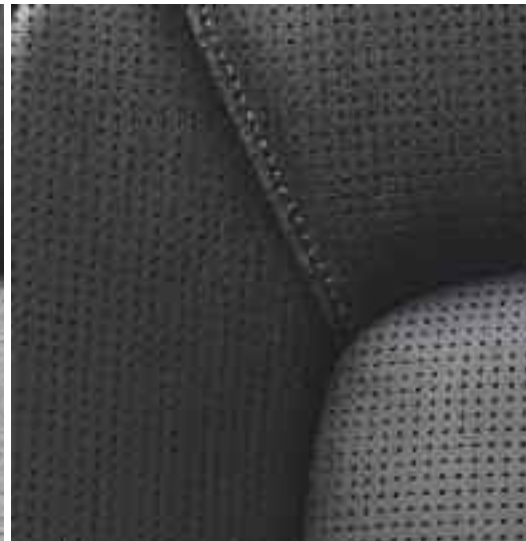
**Volvo seat design**

Developed in cooperation with ergonomic specialists to provide generous support for the body during hours of driving, the seats in the Volvo V70 are among the most comfortable in the automotive world. Multiple adjustment possibilities and adjustable lumbar support make it easy to find the perfect driving position.



**Leather-faced**

This is a high quality that's comfortable, durable and has a coarse grain pattern. Like all Volvo leather, it's organically tanned and ages beautifully.



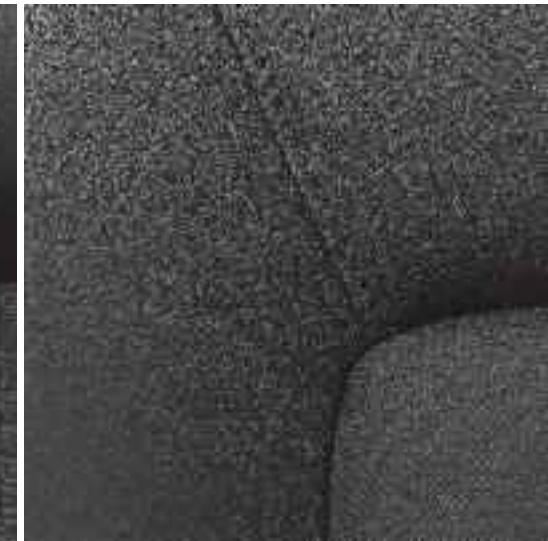
**Ventilated leather-faced**

Designed for use with ventilated seats, this upholstery is made with buffed leather. Central seat panels are ventilated, efficiently managing body moisture while adding an aesthetic quality.



**Vittinge leather/textile**

This contemporary upholstery combines pattern-stitched fabric surfaces with smooth grain leather. Central seat panels are textile while outer panels are leather.



**Sundby T-Tec/textile**

This sporty looking upholstery also combines two materials: finely woven textile upholstery trimmed with ultra-modern T-Tec, a synthetic skin inspired by wet-suits and durable outdoor gear.

**INTERIOR DESIGN** Anthracite Black



Leather steering wheel,  
Off Black with Silk metal inlay



Leather/Walnut wood steering wheel,  
Off Black with Silk metal inlay



Leather gear knob  
Off Black, manual



Leather gear knob  
Off Black, Geartronic



Leather/Walnut wood gear knob  
Off Black, Geartronic

**INTERIOR DESIGN** Sandstone Beige



Leather steering wheel,  
Soft Beige with Silk metal inlay



Leather/Walnut wood steering wheel,  
Soft Beige with Silk metal inlay



Leather gear knob  
Soft Beige, manual



Leather gear knob  
Soft Beige, Geartronic



Leather/Walnut wood gear knob  
Soft Beige, Geartronic



Cross brushed aluminium trim



Dark Fineline trim



Walnut wood trim



Modern wood trim

**INTERIOR DESIGN** Leather-faced



Anthracite Black interior  
Leather-faced Off Black, E101



Anthracite Black interior  
Leather-faced Soft Beige, E102



Sandstone Beige interior  
Leather-faced Soft Beige, E112

**INTERIOR DESIGN** Ventilated leather-faced



Anthracite Black interior  
Ventilated leather-faced Off Black, E201



Anthracite Black interior  
Ventilated leather-faced Soft Beige, E202



Sandstone Beige interior  
Ventilated leather-faced Soft Beige, E212

**INTERIOR DESIGN** Vittinge leather/textile



Anthracite Black interior  
Vittinge leather/textile Off Black, E801



Sandstone Beige interior  
Vittinge leather/textile Soft Beige, E812

**INTERIOR DESIGN** Sundby T-Tec/textile



Anthracite Black interior  
Sundby T-Tec/textile Off Black, E501

Upholstery	Upholstery code	Interior colour	Upholstery colour	Dashboard top	Door panel, lower dashboard, & upper tunnel	Carpet & Lower tunnel console	Door insert colour	Headliner colour
R-DESIGN Leather-faced Sports	EJOE	Anthracite Black	Off Black/Cream	Off Black	Off Black	Off Black	Off Black	Quartz Grey
Leather-faced	E101	Anthracite Black	Off Black	Off Black	Off Black	Off Black	Off Black	Soft Beige
	E102	Anthracite Black	Soft Beige	Off Black	Off Black	Off Black	Soft Beige	Soft Beige
	E112	Sandstone Beige	Soft Beige	Espresso Brown	Soft Beige	Soft Beige	Soft Beige	Soft Beige
Ventilated leather-faced	E201	Anthracite Black	Off Black	Off Black	Off Black	Off Black	Off Black	Soft Beige
	E202	Anthracite Black	Soft Beige	Off Black	Off Black	Off Black	Soft Beige	Soft Beige
	E212	Sandstone Beige	Soft Beige	Espresso Brown	Soft Beige	Soft Beige	Soft Beige	Soft Beige
Vittinge leather/Textile	E801	Anthracite Black	Off Black	Off Black	Off Black	Off Black	Off Black	Soft Beige
	E812	Sandstone Beige	Soft Beige	Espresso Brown	Soft Beige	Soft Beige	Soft Beige	Soft Beige
Sundby T-Tec/textile	E501	Anthracite Black	Off Black	Off Black	Off Black	Off Black	Off Black	Soft Beige

**Please note:** It's not possible to reproduce exact original shades in printed matter.  
Please ask your dealer to show you samples.

# In fine detail.

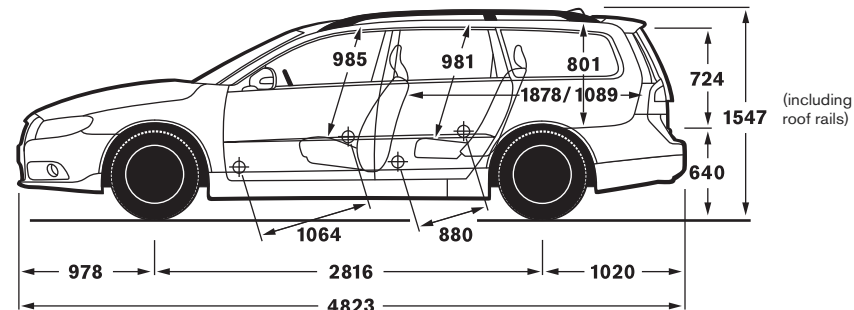
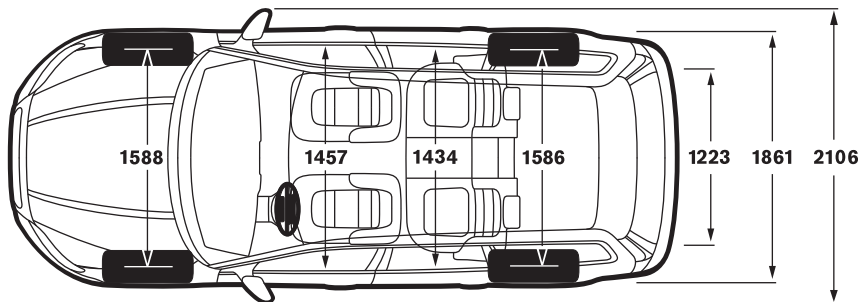
The nuts and bolts of your Volvo V70. Whatever you need to know about your new car – whether that's fuel consumption, CO<sub>2</sub> emissions, top speed or boot space – you'll find it here.

ENGINE		2.5T	T6 AWD Geartronic	2.0D Manual	2.4D	D5	D5 AWD	1.6D DRIVE
Configuration		Transverse 20 valve	Transverse 24 valve	Transverse 16 valve	Transverse 20 valve	Transverse 20 valve	Transverse 20 valve	Transverse 16 valve
Cylinders		5	6	4	5	5	5	4
Engine capacity, cc		2521	2953	1997	2400	2400	2400	1560
Bore x stroke, mm		83 x 93.2	82 x 93.2	85 x 88	81 x 93.15	81 x 93.15	81 x 93.15	75 x 88.3
Max. output ECE,	PS kW rpm	231 170 4800	285 210 5600	136 100 4000	175 129 4000	205 151 4000	205 151 4000	109 80 4000
Max. torque ECE,	Nm rpm	340 1700-4800	400 1500-4800	320 2000	420 1500-2750	420 1500-3250	420 1500-3250	240 1750
Octane rating		95 RON unleaded <sup>(1)</sup>	95 RON unleaded <sup>(1)</sup>	Turbo Diesel	Turbo Diesel	Turbo Diesel	Turbo Diesel	Turbo Diesel
Fuel system		Multipoint fuel injection	Port fuel injection	Common rail direct injection	Common rail direct injection	Common rail direct injection	Common rail direct injection	Common rail direct injection
Compression ratio		9.0:1	9.3:1	18.5:1	16.5:1	16.5:1	16.5:1	18.3:1

PERFORMANCE		2.5T		T6 AWD Geartronic	2.0D Manual	2.4D		D5		D5 AWD Gt	1.6D DRIVE Man
		Man	Gt			Man	Gt	Man	Gt		
Top speed (mph)		130	130	152	124	130	130	140	137	137	118
Acceleration 0-60 mph (sec)		7.3	7.5	6.7	10.5	9.0	9.4	7.7	8.2	8.2	12.1
0-62 mph (0-100 kmh) (sec)		7.7	7.9	7.2	11.1	9.5	9.9	8.2	8.7	8.7	12.8
Drag co-efficient		0.31		0.31	0.31	0.31		0.31		0.31	0.31

FUEL CONSUMPTION <sup>(1)(2)(3)</sup>		2.5T		T6 AWD Geartronic	2.0D Manual	2.4D		D5		D5 AWD Gt	1.6D DRIVE Man
		Man	Gt			Man	Gt	Man	Gt		
Urban	mpg	22.6	19.9	16.4	37.7	34.9	30.7	32.5	29.7	27.7	47.9
	(l/100 km)	(12.5)	(14.2)	(17.2)	(7.5)	(8.1)	(9.2)	(8.7)	(9.5)	(10.2)	(5.9)
Extra Urban	mpg	42.8	39.8	34.0	56.5	58.9	52.3	55.4	52.3	47.1	65.7
	(l/100 km)	(6.6)	(7.1)	(8.3)	(5.0)	(4.8)	(5.4)	(5.1)	(5.4)	(6.0)	(4.3)
Combined	mpg	32.1	29.1	24.6	47.9	47.1	41.5	44.1	40.9	37.7	57.7
	(l/100 km)	(8.8)	(9.7)	(11.5)	(5.9)	(6.0)	(6.8)	(6.4)	(6.9)	(7.5)	(4.9)
CO <sub>2</sub> g/km		209	232	270	157	159	179	169	183	198	129
VED (Vehicle Excise Duty) Band		K	L	M	G	G	I	H	I	J	D
Emission Level		Euro V		Euro IV	Euro IV	Euro IV		Euro V		Euro V	Euro IV

NB: All diesel models are fitted with a Diesel Particulate Filter



LUGGAGE COMPARTMENT	To Glass-line	To Roof
Volume (rear seats up – luggage area) litres (cu.ft)	575 (20.3)	815 (28.8)
Volume (rear seats down) litres (cu.ft)	840 (29.7)	1600 (56.5)

POWER STEERING SYSTEM	All Models
(rack & pinion) Turning circle, m (ft) 225 – 245 (17" – 18") Section Tyres	11.2 – 12.2 (36'7" – 40'0")

	2.5T	T6 AWD Geartronic	2.0D Manual	2.4D	D5	D5 AWD	1.6D DRIVE
Brakes	16.5"	16.5"	16.5"	16.5"	16.5"	16.5"	16"
Disc diameter front, mm	316	316	300	316	316	316	300
Disc diameter rear, mm	Ventilated 302	Ventilated 302	Ventilated 302	Ventilated 302	Ventilated 302	Ventilated 302	Ventilated 316
Transmission	6 speed Geartronic	– 6 speed	6 speed Manual	6 speed 6 speed	6 speed 6 speed	6 speed 6 speed	5 speed –
Fuel tank volume litres (gallons)	70 (15.4)	70 (15.4)	70 (15.4)	70 (15.4)	70 (15.4)	70 (15.4)	70 (15.4)

INSURANCE GROUP	2.5T	T6 AWD Geartronic	2.0D Manual	2.4D	D5	D5 AWD	1.6D DRIVE
Volvo V70 SE	16E	–	13E	14E	15E	15E	11E
SE LUX	16E	18E	13E	14E	15E	15E	–
R-DESIGN	16E	18E	13E	14E	15E	–	–

E = Exceeds security requirements for model concerned and group rating has been reduced.

WEIGHTS	2.5T		T6 AWD Geartronic	2.0D Manual	2.4D		D5		D5 AWD Gt	1.6D DRIVE Man
	Man	Gt			Man	Gt	Man	Gt		
Min. kerb weight, kg (actual kerb weight dependent on spec.)	1730	1746	1895	1728	1755	1772	1755	1772	1853	1667
Max. possible towing weight braked, kg	1800	1800	2000	1600	1800	1800	1800	2000	2000	1300
Max. towing weight unbraked approx, kg <sup>(iv)</sup>	750	750	750	750	750	750	750	750	750	750
Max. towball weight, kg	75	90	90	75	90	90	90	90	90	75
Max. total weight, kg	2260	2280	2410	2270	2300	2310	2300	2310	2390	2220
Max. roof load, kg	100	100	100	100	100	100	100	100	100	100
Max. payload, kg (dependent on spec)	530	534	515	542	545	538	545	538	537	553

- (i) For best performance and lowest fuel consumption 98 RON is recommended, 95 RON can be used for normal driving.
- (ii) The results do not express or imply any guarantee of the fuel consumption of a particular car.
- (iii) Official fuel consumption figures are obtained in accordance with Directive 93/116/EC as amended by 1999/100/EC. The figures are obtained under controlled test conditions and as such consumption achieved on the road will not necessarily accord with the official test results. Factors including driving styles and road, car and weather conditions will also have a bearing on actual fuel consumption achieved.
- (iv) Unbraked towing weight must not exceed 50% of kerb weight up to a maximum of 700 kg.

#### Notes

The weight of a vehicle will influence the level of CO<sub>2</sub> emitted and as a result, vehicles with higher levels of specification and factory fit options may emit higher levels of CO<sub>2</sub>. However, Vehicle Excise Duty is charged according to the weight and CO<sub>2</sub> emissions of the standard vehicle, as published in the price list. The weight effect of any additional items does not affect the amount of Vehicle Excise Duty payable.

A weighbridge must be used to determine specific weights.

Data valid for manual transmission unless specified.

Gt = Geartronic Automatic Transmission.

All measurements in mm.

The Max. output figures are quoted in PS (Pferdestärke), which is the metric equivalent of brake horsepower.

NB Some of the information in this price list may not be correct due to product changes which may have occurred since it was printed. Some of the equipment described or shown may now be available only at extra cost. Before ordering, please ask your Volvo dealer for the latest information. The manufacturer reserves the right to make changes at any time, without notice, to prices, colour, materials, specifications and models.

# Meet the family.

## Fuel consumption and CO<sub>2</sub> emissions for the Volvo range:

Fuel consumption mpg (l/100 km):  
Urban: 57.7 (4.9) – 14.1 (20.0).  
Extra Urban: 83.1 (3.4) – 28.8 (9.8).  
Combined: 74.3 (3.8) – 20.9 (13.5).  
CO<sub>2</sub> emissions: 99 – 322 g/km.

**Please note:** Some of the information in this brochure may be incorrect due to changes in product specification that may have occurred since printing. Some of the equipment described or shown may now only be available at extra cost. Before ordering, please ask your Volvo dealer for the latest information. The manufacturer reserves the right to make changes at any time and without notice, to prices, colours, materials, specifications and models.

**Furthermore:** There are options, accessories and packages that can be chosen separately or combined as you like. For more information, please contact your Volvo dealer.

# S



**Volvo S40** The compact and energetic saloon.



**Volvo S80** The premier saloon, meticulously engineered for superior driving comfort.

# V



**Volvo V50** The Sportswagon — flexible, compact and full of zest.



**Volvo V70** The genuine family estate — highly competitive yet comfortably versatile.

# XC



**Volvo XC60** A sporty coupe and a capable all-roader fused into a Swedish crossover experience.



**Volvo XC70** The rugged yet stylish all-roader.



**Volvo XC90** The versatile SUV that takes you anywhere with grace.

# C



**The new Volvo C30** The compact and charismatic SportsCoupe.



**The new Volvo C70** A retractable hardtop convertible that seats four adults with comfort.



# The end is just the beginning.

## **VOLVO TOTAL CARE**

**We want your experience of buying and owning a Volvo to be one of life's pleasures, that's why we're here to make it as care-free and easy as possible. It's simple – Volvo Total Care is a single port of call for all your motoring requirements, from funding your purchase to protecting your investment with Volvo Car Insurance to monthly payment plans for servicing. We will even provide you with special offers during your ownership. Volvo Total Care is designed to make owning a Volvo rewarding. For further information on Volvo Total Care please contact your dealer or go to [www.volvocars.co.uk/totalcare](http://www.volvocars.co.uk/totalcare)**

## **FINANCE**

Volvo Car Financial Services have developed a series of funding plans that will provide you with a range of choices and flexibility when acquiring a Volvo<sup>®</sup>. For details of the current promotions available, please visit [www.volvocars.co.uk/financepromotions](http://www.volvocars.co.uk/financepromotions).

**WHAT NEXT?** If you'd like to find out more about the range of products and services that make up Care by Volvo, the story continues at [www.volvocars.co.uk](http://www.volvocars.co.uk). Alternatively you can contact your nearest Volvo dealer or request relevant brochures.

(i) Finance subject to status. Terms and conditions apply. Guarantees/Indemnities may be required. Applicants must be 18 or over. Volvo Car Financial Services RH1 1SR.

(ii) When using a Volvo approved Body and Paint repairer.

(iii) Volvo Car Insurance is underwritten by Royal & Sun Alliance Insurance plc (No. 93792). Registered in England and Wales at St Mark's Court, Chart Way, Horsham, West Sussex RH12 1XL. Authorised and regulated by the Financial Services Authority. For your protection telephone calls will be recorded and may be monitored. All benefits are subject to qualifying status, terms and conditions, cover level and underwriting criteria. Service and repair benefits are subject to being carried out by a recommended repairer.

## **INSURANCE**

Volvo Car Insurance is designed for Volvo drivers and because we know Volvos inside out, we can offer exactly the right tools and expertise, fitting only genuine Volvo parts by trained Volvo technicians<sup>(i)</sup>. Your Volvo will come with seven days drive away insurance, so you've already got peace of mind. Because Volvo drivers have an excellent reputation, we can also offer extensive cover at a reasonable price<sup>(ii)</sup>.

Call now for your insurance quote on **0800 238 239**, quoting reference BROCH.

## **SERVICING YOUR VOLVO**

**Your Volvo dealer has the unique know-how to tailor a service programme according to Volvo's strict recommendations and guarantees you years of safety and driving pleasure. In addition, why not save yourself money on service costs by taking out a Volvo Service Plan? They're designed to spread servicing costs on an interest-free monthly basis, providing you with economic, convenient servicing and peace of mind.**

**Whatever option you choose your costs are fixed no matter what happens to labour, parts or oil prices. You will also have the satisfaction of being able to have your Volvo serviced at any one of our UK Volvo dealers and Service Centres. For further information and to purchase online please go to [www.volvocars.co.uk/serviceplan](http://www.volvocars.co.uk/serviceplan)**

## **VOLVO ON CALL**

Subscribe to Volvo On Call and you'll never be completely on your own. It's a GPS-based communication system providing 24-hour access to both emergency and roadside assistance wherever you are. See the Volvo On Call brochure for more information.

## **LOOKING AHEAD**

**You'll probably never find out just how good some of these services are. But should the unexpected happen, we'd like to think that you'd be even happier you chose a Volvo.**

## **ROADSIDE ASSISTANCE**

Every new car comes with one year's Volvo Assistance cover. You'll enjoy free breakdown and recovery assistance, anywhere in Europe, 24 hours a day. You can even extend cover for £85 for one year or £155 for two years. Call Volvo Assistance on **08701 650 978**.

## **WARRANTY**

Every new Volvo comes with comprehensive protection. Our warranty covers the first three years or 60,000 miles, whichever comes first. There's a three year unlimited mileage warranty on the paintwork, and either eight or twelve years against rust perforation. If a component fails due to a defect or material fault, your dealer will swiftly rectify the problem, free of charge.

**THERE'S MORE TO LIFE THAN A VOLVO.**

Volvo. for life



**THAT'S WHY YOU DRIVE ONE.**

**VOLVO**

**Volvo Car UK Limited**  
[www.volvocars.co.uk](http://www.volvocars.co.uk)

All "On The Road" prices quoted in this price list include Volvo standard national delivery charge, inclusive of number plates and VAT at £535 and the VED (Vehicle Excise Duty) car tax as of 1st May 2009. This charge does not include any provision for fuel. The "On The Road" price also includes a £55 vehicle first registration fee (as set by the government - excludes Channel Islands and Isle of Man). Recommended retail prices quoted do not include these additions.

MODEL YEAR 2010 EDITION 5
Issued 01/01/2010